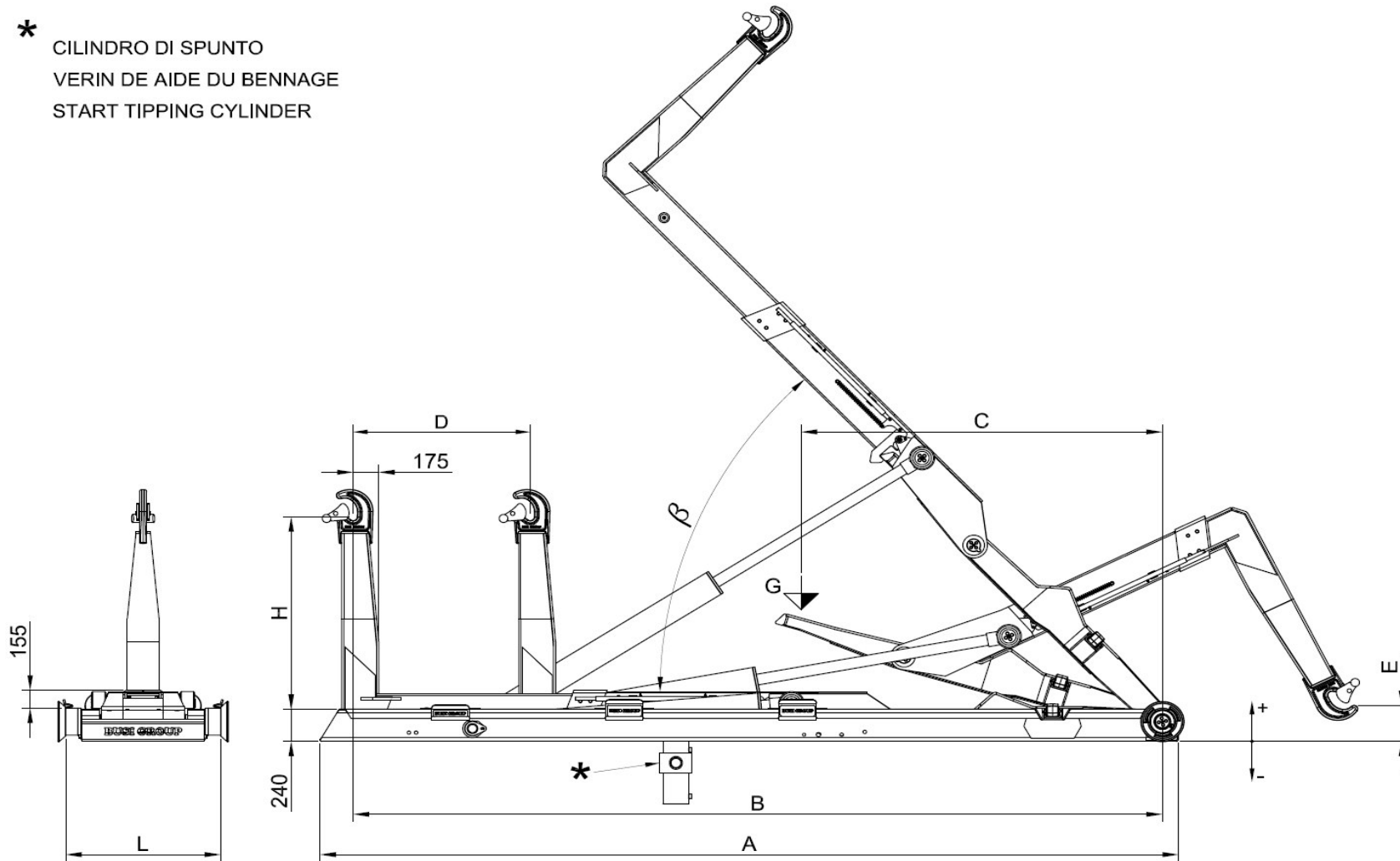


KT 30 / 6

SCARRABILE CON SFILLO E RIBALTAMENTO

* CILINDRO DI SPUNTO
VERIN DE AIDE DU BENNAGE
START TIPPING CYLINDER



| Modèle Equip | PTAC Minimum conseillée | Poids Equip | Angle | Debit conseillée de la pompe | Pression Max | Capacité maximale de charge | Dimensions | | | | | | Caisson conseillé | | |
|--------------------|-------------------------|--------------|---------|---------------------------------|---------------|-----------------------------|------------|------|------|------|-------------|-----------|-----------------------|------|------|
| Equipment Model | Minimum GVW recommended | Equip Weight | Angle | Recomm. pump flow | Max Pressure | Maximum loading capacity | Dimensions | | | | | | Recommended container | | |
| Modello Scarrabile | PTT Minimo consigliato | Peso Scarr. | Angolo | Portata consigliata della pompa | Pressione Max | Capacità massima di carico | Dimensioni | | | | | | Cassa consigliata | | |
| | TON | Kg | β | Litri / min | Bar | TON | A | B | C | D | H | E | L | MIN | MAX |
| KT 30 / 50 | 32 | 2710 | 52° | 95 | 340 | 30 | 5340 | 5000 | 3000 | 825 | 1430 / 1570 | 10 / -120 | 1070 | 4300 | 5600 |
| KT 30 / 52 | 32 | 2740 | 52° | 95 | 340 | 30 | 5540 | 5200 | 3050 | 1025 | 1430 / 1570 | 10 / -120 | 1070 | 4300 | 5800 |
| KT 30 / 54 | 32 | 2770 | 52° | 95 | 340 | 30 | 5740 | 5400 | 3100 | 1225 | 1430 / 1570 | 10 / -120 | 1070 | 4300 | 6000 |
| KT 30 / 56 | 32 | 2810 | 52° | 95 | 340 | 30 | 5940 | 5600 | 3150 | 1225 | 1430 / 1570 | 70 / -60 | 1070 | 4500 | 6200 |